

# Public Works Standard Drawings Subcommittee Meeting

---

Monday, April 19, 2021

Microsoft Teams

# Welcome and Introductions

# Summary March 22, 2021

5020

- NCTCOG should reach out to Frontera or a trade group to ask about the comment, “non-shrink gout coating when not in paving.”
- To reduce inflow and infiltration (I&I), wrap manhole and/or add chimney seal to assist with that issue. Make a note, “Poly wrap around manhole or just cone and riser section; and/or a chimney seal (inside the riser), a rain pan could be inside the manhole cover.”
- Elevate manhole 1’ above floodplain.
- Review 5070 and City of Coppell 5020 to eliminate confusion of ½ in pavement, ½ out.
- Missing manhole frame and cover that was in the Stormwater section, see also as a starting point: 502.1.4.6.
- Keith suggested using a composite grade ring that is more durable than the old cast/concrete rings. He also suggested using composite manhole covers because they are less crumbly. He gave NCTCOG the link to the newly updated Lewisville drawings. <https://www.cityoflewisville.com/about-us/citydepartments/engineering/standard-construction-details>

5030

- Grade rings should have a min/max dimension, not “min. 4 courses.”

- Note 1 should be changed from “23” below top of curb” to “below top of pavement.” This will match 5020.
- add “...or as required to construct pavement section, including subgrade.”

5040

- Add note that this is just one alternative material – other materials could be used, per approval of by city engineer.
- In future, other materials should be added to the specifications. Add this to our list of future spec issues to address. Ask fiberglass pipe trade group for any detail updates that they would include.

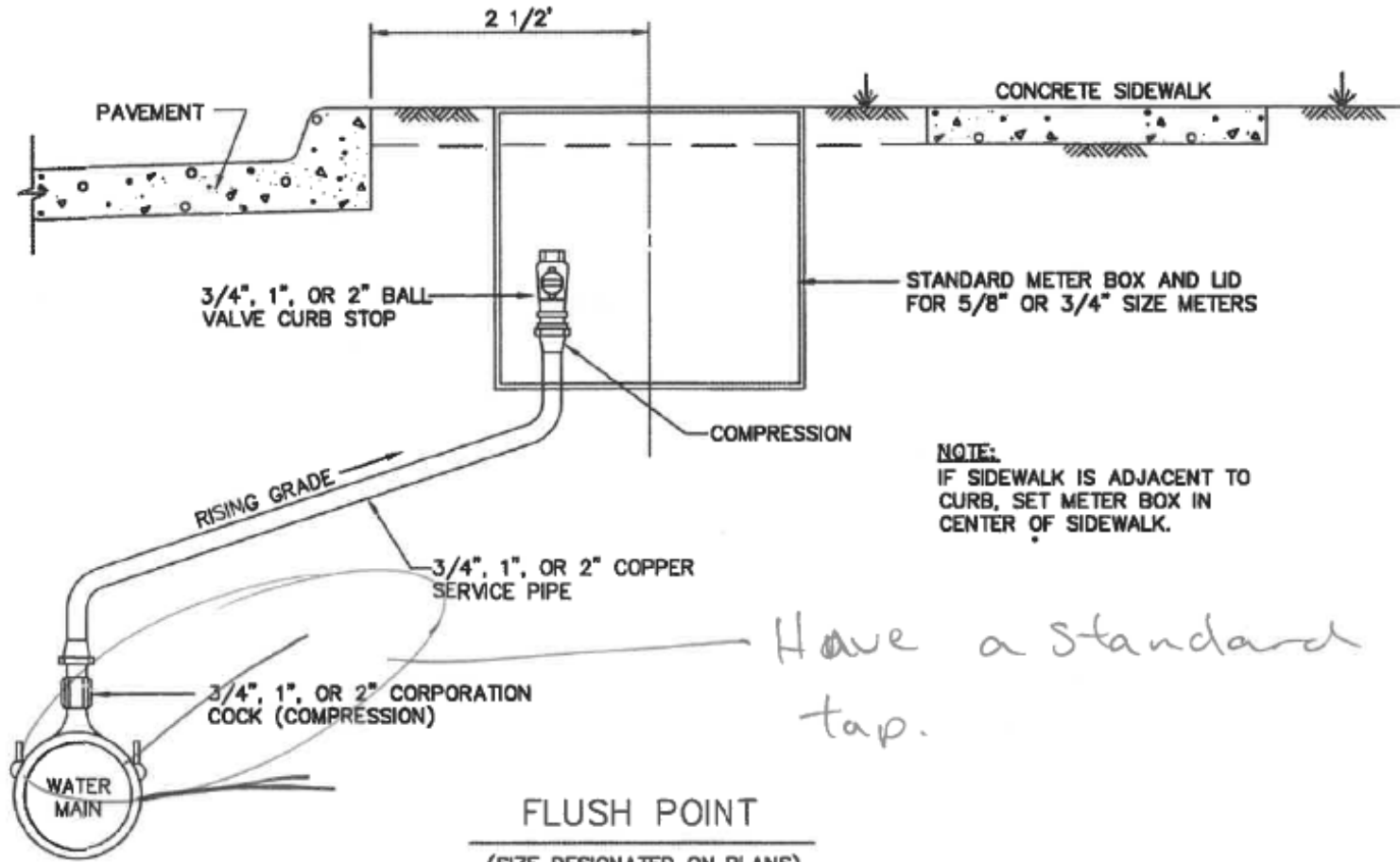
5050

- Show flat top with standard and bolt down frame and cover.
- The group discussed that a monolithic pour is a heavy burden for the industry.
- An access chamber with clean outs is references in the specifications but is missing from the drawing.
- 24” opening at the bottom is no longer sufficient, it should be 30”.

5060

- TCEQ 217 rule should be added as a note for the height outlet above the floodplain.
- Add a dimension for a minimum burial vent pipe.
- Add embedment or flowable fill to add stability.

# Division 4000: Water Distribution



**NOTE:**  
IF SIDEWALK IS ADJACENT TO CURB, SET METER BOX IN CENTER OF SIDEWALK.

*Have a standard 450 tap.*

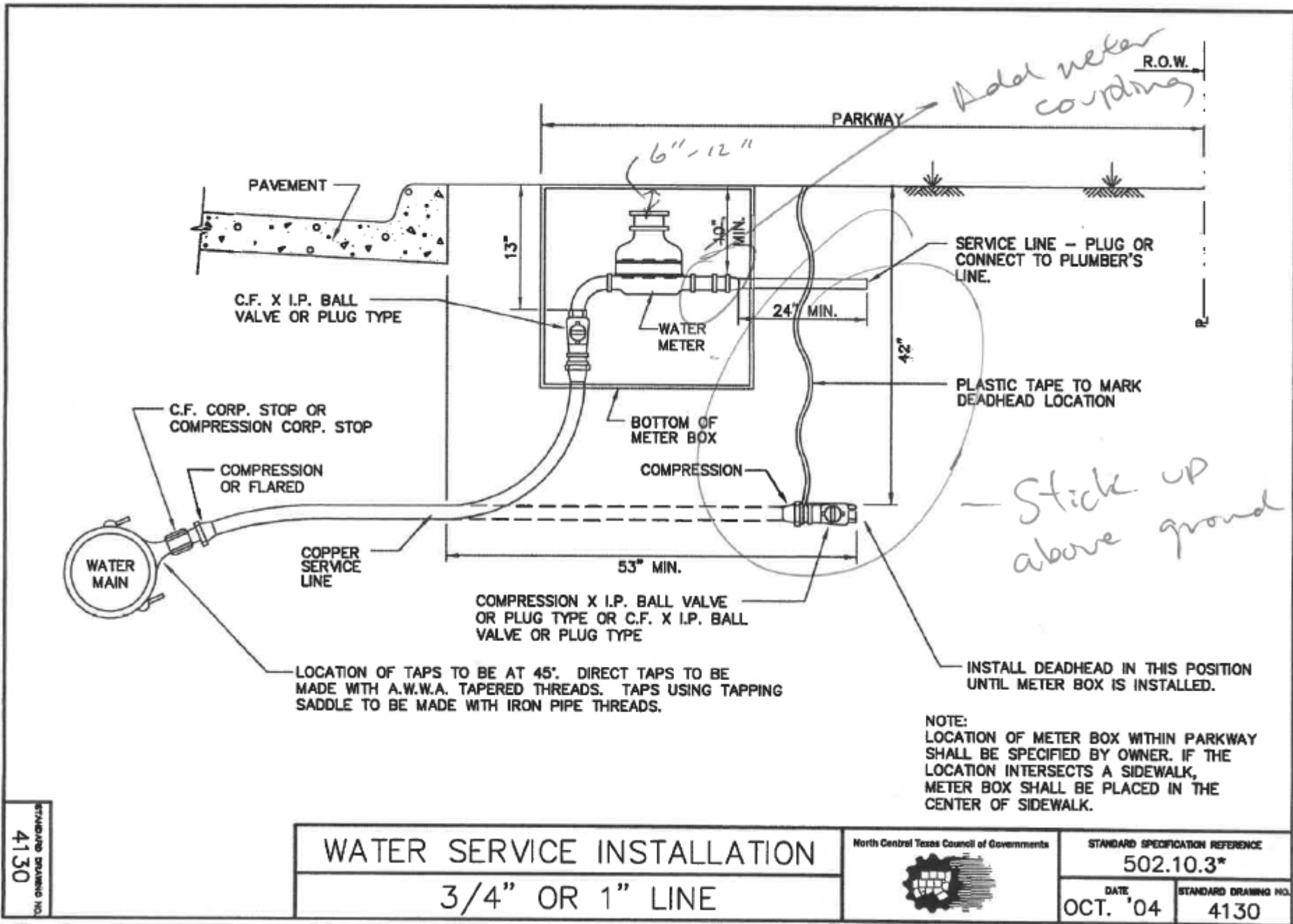
**FLUSH POINT**  
(SIZE DESIGNATED ON PLANS)  
N.T.S.

STANDARD DRAWING NO.  
**4110**

**FLUSH POINT INSTALLATION**  
**TYPE "1"**

North Central Texas Council of Governments

STANDARD SPECIFICATION REFERENCE <b>502.10.3*</b>	
DATE <b>OCT. '04</b>	STANDARD DRAWING NO. <b>4110</b>

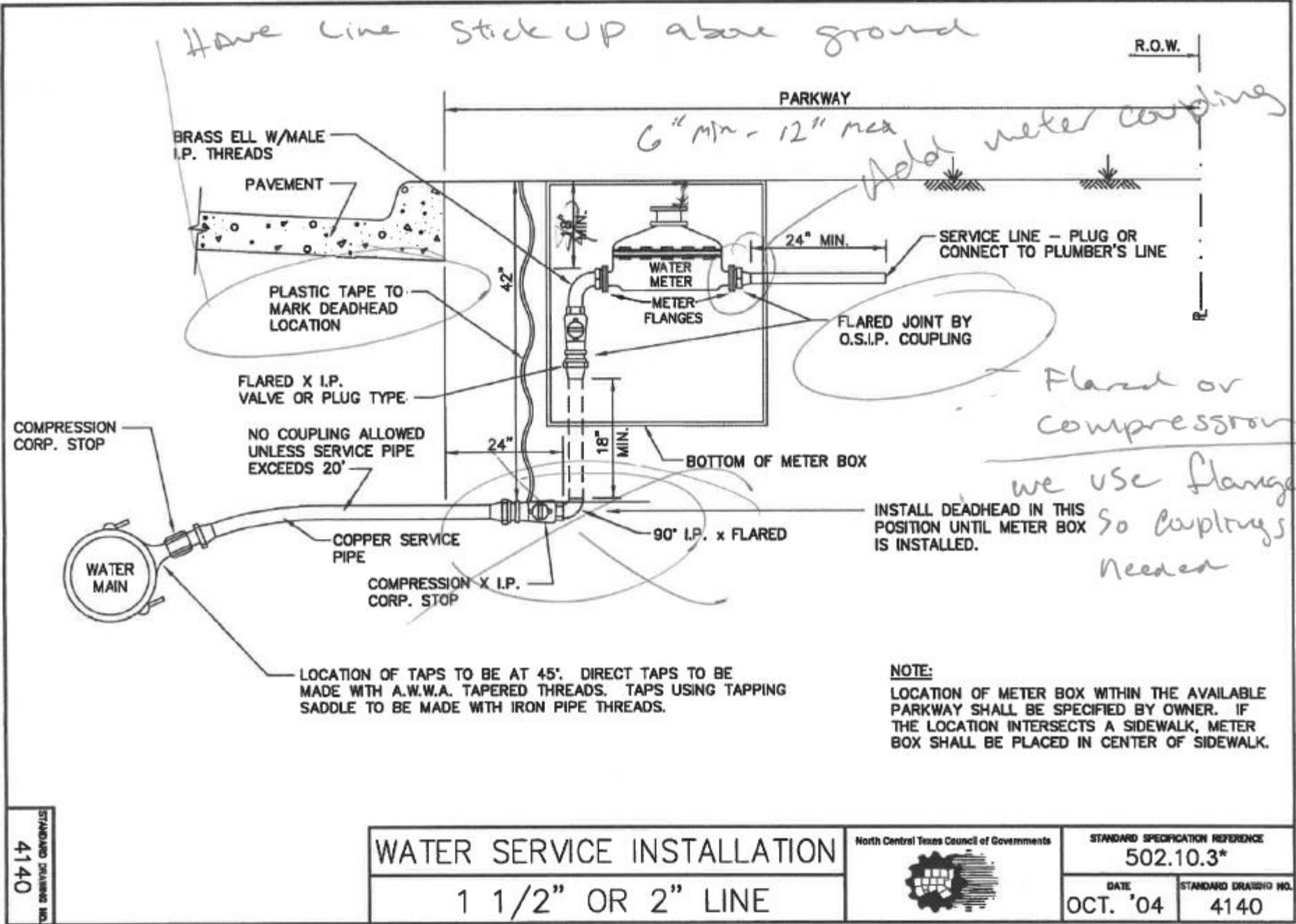


STANDARD DRAWING NO.  
4130

WATER SERVICE INSTALLATION  
3/4" OR 1" LINE



STANDARD SPECIFICATION REFERENCE	
502.10.3*	
DATE	STANDARD DRAWING NO.
OCT. '04	4130



STANDARD DRAWING NO.  
4140

WATER SERVICE INSTALLATION

1 1/2" OR 2" LINE

North Central Texas Council of Governments



STANDARD SPECIFICATION REFERENCE

502.10.3\*

DATE

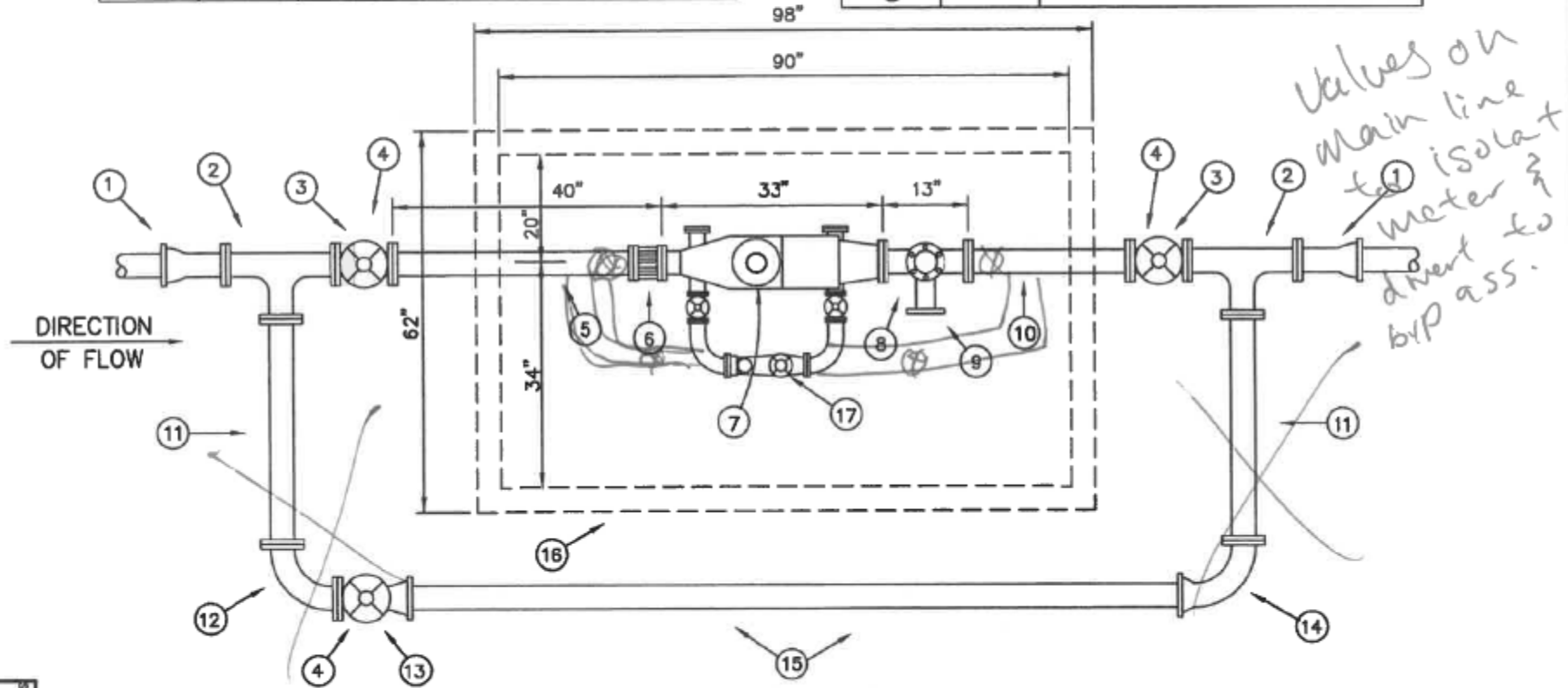
OCT. '04

STANDARD DRAWING NO.

4140

MATERIALS LIST		
PART NO.	QUANTITY	DESCRIPTION
①	2 EA.	4" X 12" D.I. NIPPLE M.J. X F.
②	2 EA.	4" X 4" D.I. TEE F. X F.
③	2 EA.	4" GATE VALVE F. X F.
④	3 EA.	VALVE STACK RISER COVER & LID
⑤	1 EA.	4" X 40" D.I. NIPPLE F. X SLEEVE
⑥	1 EA.	4" FLANGED COUPLING ADAPTER
⑦	1 EA.	4" METER AS SPECIFIED (TYPE F.M. SHOWN)
⑧	1 EA.	4" X 4" D.I. TEE F. X F. (TEST POINT)
⑨	1 EA.	4" BLIND FLG.

MATERIALS LIST		
PART NO.	QUANTITY	DESCRIPTION
⑩	1 EA.	4" X 24" D.I. NIPPLE F. X F.
⑪	2 EA.	4" X 36" D.I. NIPPLE F. X F.
⑫	1 EA.	4" D.I. 90° BEND F. X F.
⑬	1 EA.	4" GATE VALVE F. X M.J.
⑭	1 EA.	4" D.I. 90° BEND M.J. X F.
⑮	1 EA.	4" D.I. PIPE, CLASS 52, APPROX. 10'
⑯	1 EA.	PRECAST METER VAULT
⑰	1 EA.	VAULT FLOOR (NOT SHOWN)
⑰	1 EA.	ACCESS HATCH (NOT SHOWN)
⑰	1 EA.	BY-PASS METER



STANDARD DRAWING NO.  
4150

4" COMBINED SERVICE  
WITH 4" METER

North Central Texas Council of Governments



STANDARD SPECIFICATION REFERENCE

502.10

DATE

OCT. '04

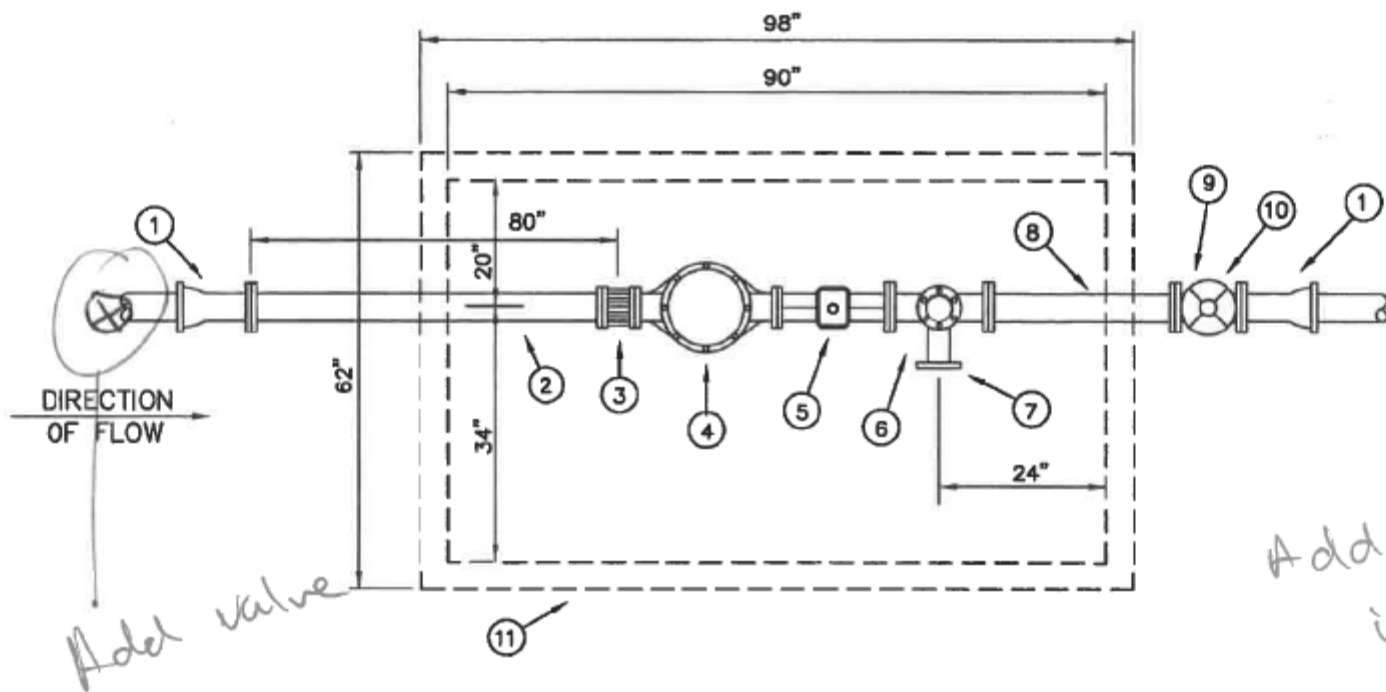
STANDARD DRAWING NO.

4150



MATERIALS LIST		
PART NO.	QUANTITY	DESCRIPTION
①	2 EA.	8" X 12" D.I. NIPPLE M.J. X F.
②	1 EA.	8" X 36" D.I. NIPPLE F. X SLEEVE
③	1 EA.	8" FLANGED COUPLING ADAPTER
④	1 EA.	8" U.L. APPROVED (FOR TURBINE)
⑤	1 EA.	8" TURBINE METER
⑥	1 EA.	8" X 4" D.I. TEE F. X F. (TEST PT)
⑦	1 EA.	8" BLIND FLG F. X F.

MATERIALS LIST		
PART NO.	QUANTITY	DESCRIPTION
⑧	1 EA.	8" X 24" D.I. NIPPLE F X F.
⑨	1 EA.	8" GATE VALVE F. X F.
⑩	1 EA.	VALVE STACK RISER COVER & LID
⑪	1 EA.	PRECAST METER VAULT
	1 EA.	VAULT FLOOR (NOT SHOWN)
	1 EA.	ACCESS HATCH (NOT SHOWN)



STANDARD DRAWING NO.  
4170

8" FIRE LINE STANDPIPE  
SERVICE WITH 8" METER

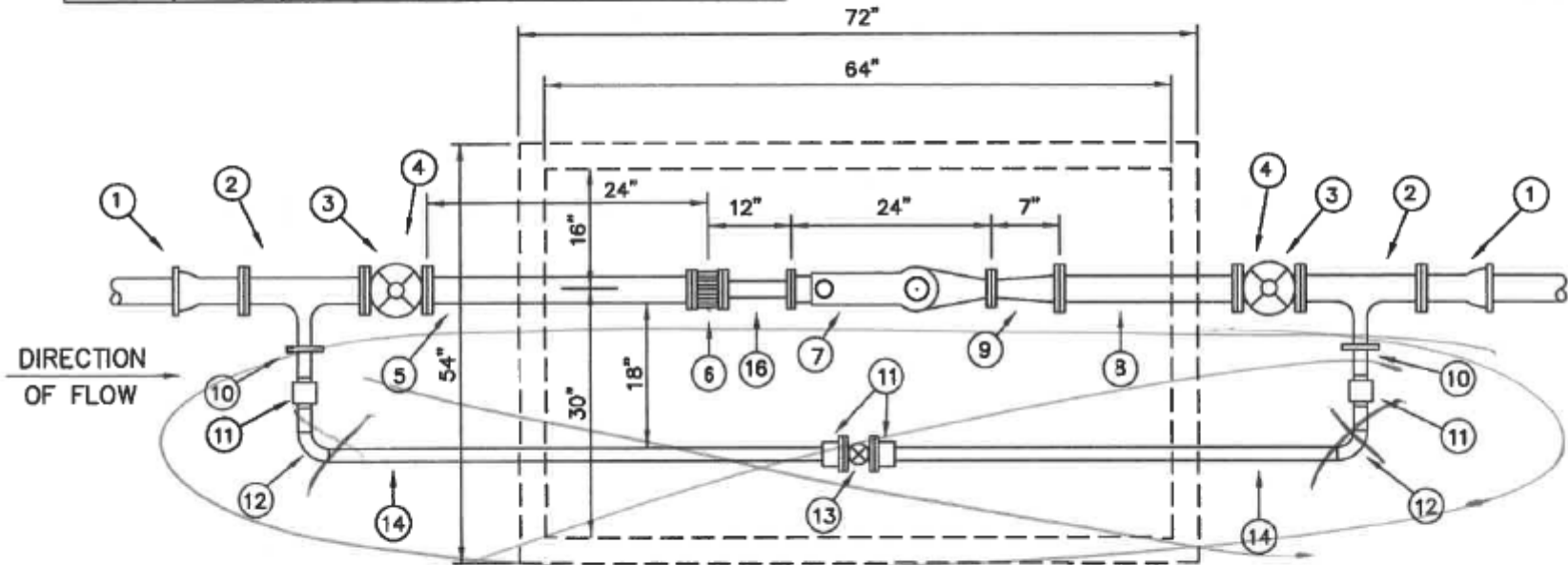
North Central Texas Council of Governments



STANDARD SPECIFICATION REFERENCE  
502.10  
DATE  
OCT. '04  
STANDARD DRAWING NO.  
4170

MATERIALS LIST		
PART NO.	QUANTITY	DESCRIPTION
①	2 EA.	4" X 12" D.I. NIPPLE M.J. X F.
②	2 EA.	4" X 2" D.I. TEE F. X F.
③	2 EA.	4" GATE VALVE F. X F.
④	2 EA.	VALVE STACK RISER COVER & LID
⑤	1 EA.	4" X 24" D.I. NIPPLE F. X SLEEVE
⑥	1 EA.	4" X 3" FLANGED RED. COUPLING ADAPTER
⑦	1 EA.	3" METER AS SPECIFIED (TYPE C.T. SHOWN)
⑧	1 EA.	4" X 18" D.I. NIPPLE F. X F.
⑨	1 EA.	4" X 3" D.I. REDUCER F. X F.

MATERIALS LIST		
PART NO.	QUANTITY	DESCRIPTION
⑩	2 EA.	2" COMPANION FLANGE
⑪	4 EA.	2" SOL. X OSIP UNION
⑫	2 EA.	2" SOL. 90° ELL
⑬	1 EA.	2" BALL VALVE
⑭	2 EA.	2" COPPER PIPE, APPROX. 5'
⑮	1 EA.	PRECAST METER VAULT
	1 EA.	VAULT FLOOR (NOT SHOWN)
	1 EA.	ACCESS HATCH (NOT SHOWN)
⑯	1 EA.	3"x12" D.I. NIPPLE F. x SLEEVE

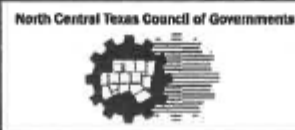


No DCDC/DCVA?

Add ball pass  
in vault

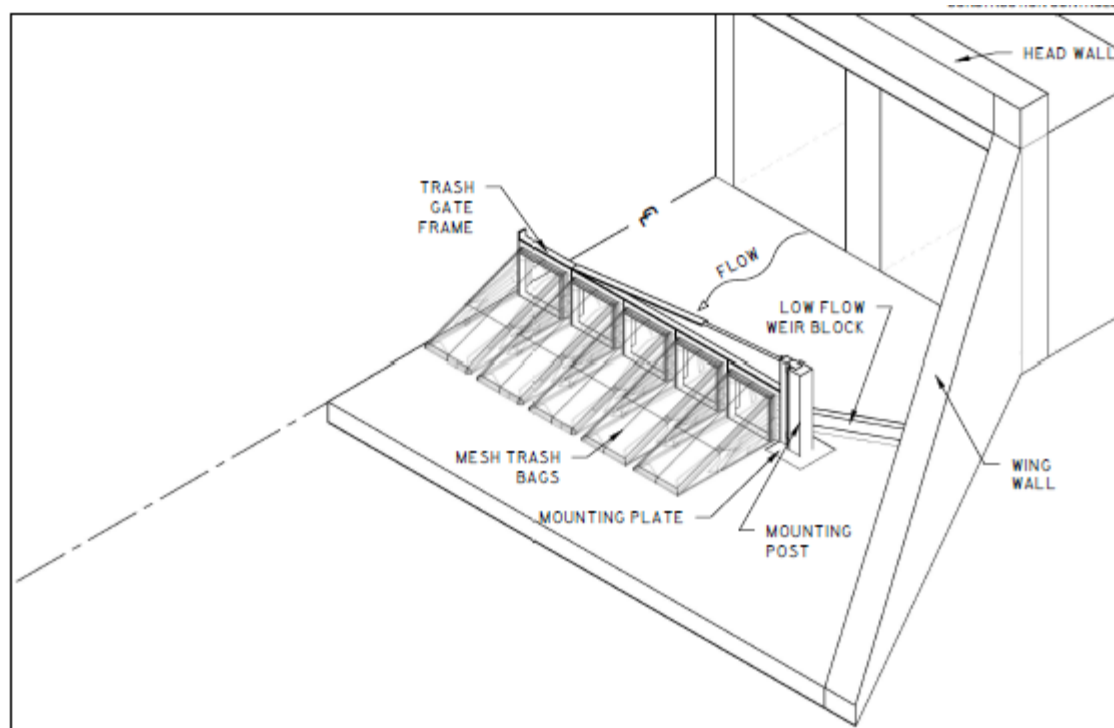
STANDARD DRAWING NO.  
4180

4" DOMESTIC SERVICE  
WITH 3" METER

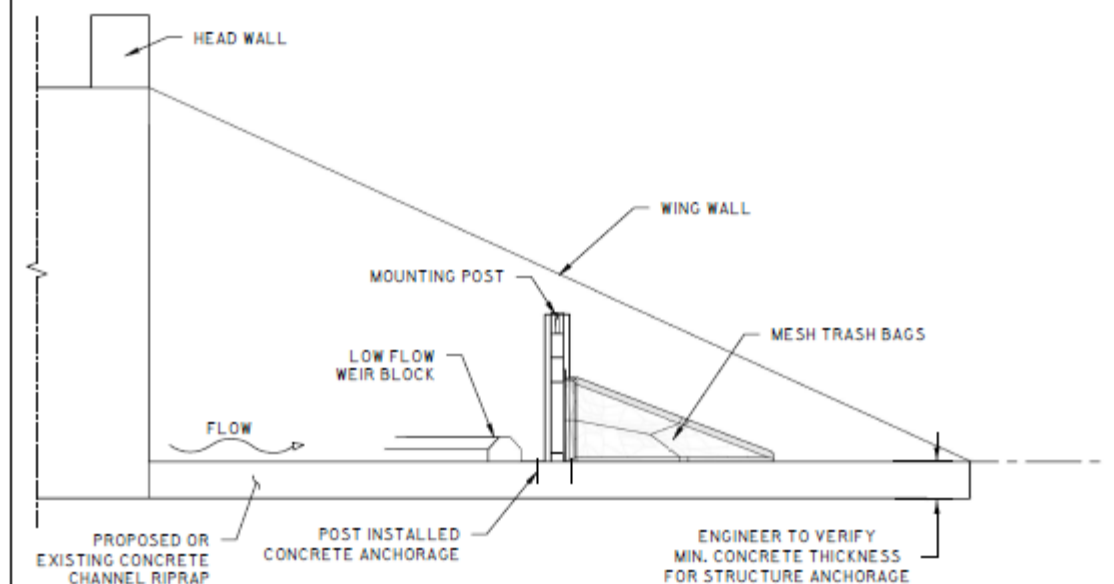


STANDARD SPECIFICATION REFERENCE  
502.10  
DATE  
OCT. '04  
STANDARD DRAWING NO.  
4180

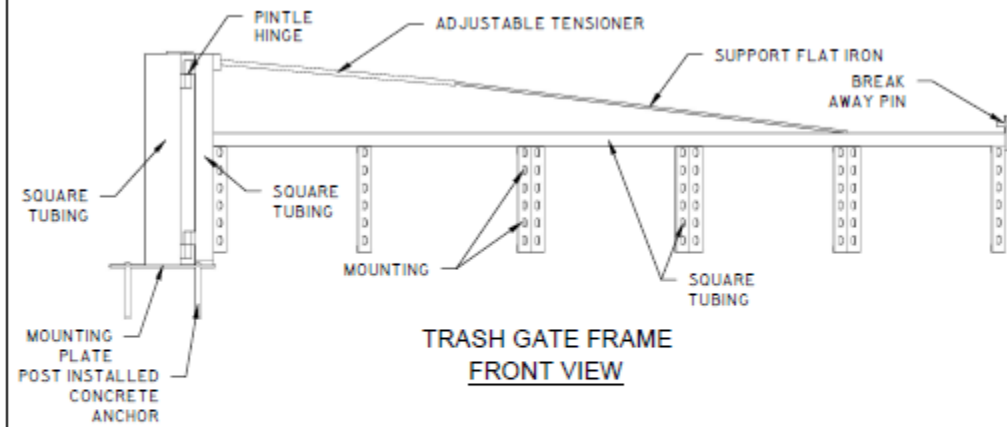
# Draft Frisco Trash Screen Detail



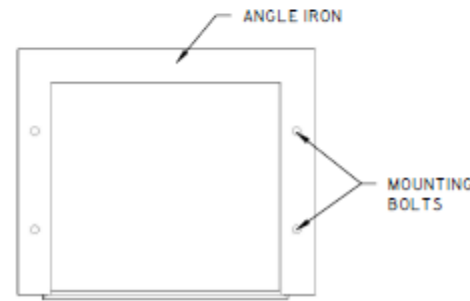
HALF ISOMETRIC VIEW



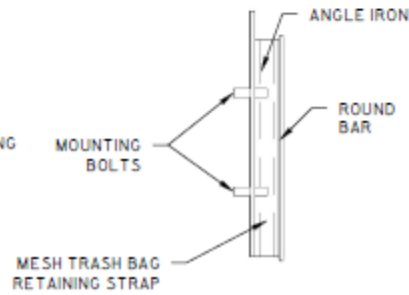
SIDE VIEW WITH HEADWALL



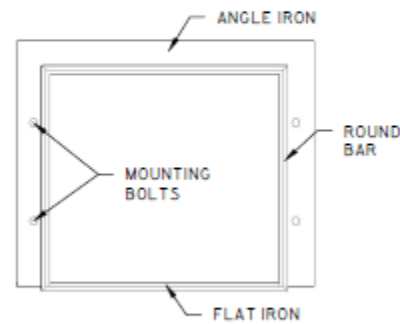
**TRASH GATE FRAME  
FRONT VIEW**



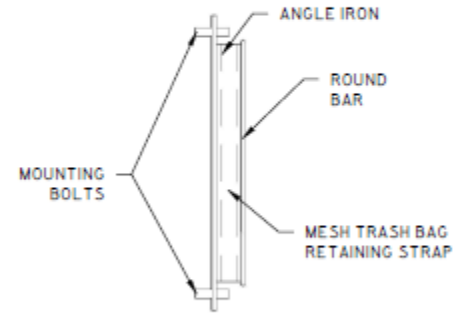
**TRASH BAG BRACKET  
FRONT VIEW**



**TRASH BAG BRACKET  
SIDE VIEW**



**TRASH BAG BRACKET  
BACK VIEW**



**TRASH BAG BRACKET  
TOP VIEW**

# Next Steps

---

- Determine action items for Subcommittee Members and NCTCOG staff

# Next Standard Drawings Meetings

May 24, 2021  
10am-11:30am

Teams

Committee Webpage: <https://www.nctcog.org/envir/committees/public-works-council/standard-drawings-subcommittee>