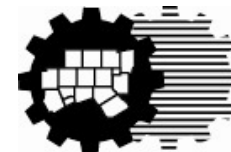


# Promising Renewable Energy Technologies for use in the Public Right of Way

## TRANSPORTATION RESEARCH BOARD

**Sustainable Public Right of Way Meeting  
April 26, 2016**

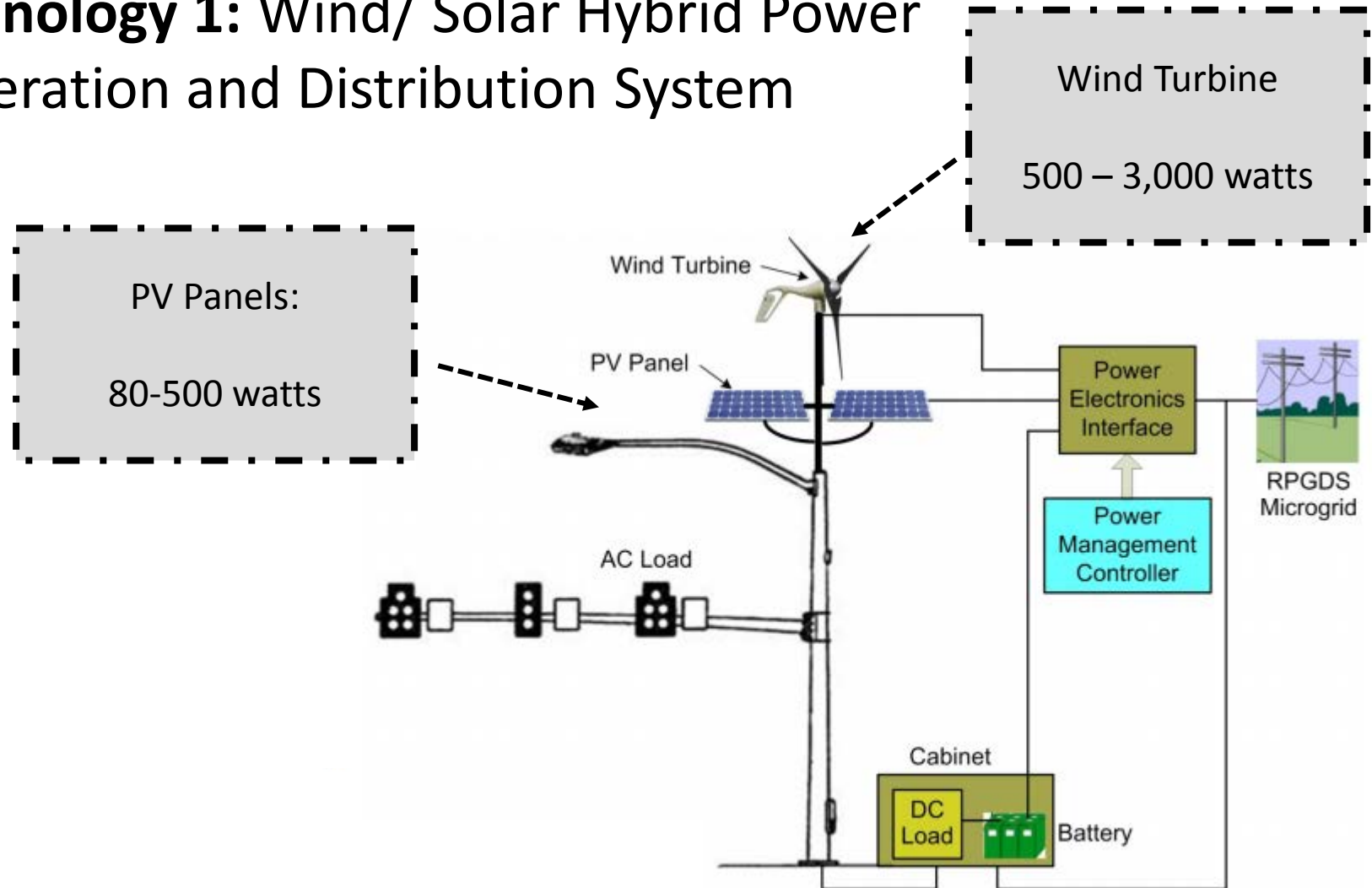
**Kristina Ronneberg  
Air Quality Planner**



**North Central Texas  
Council of Governments**

# NEW TECHNOLOGIES FOR RENEWABLE ENERGY IN THE PUBLIC RIGHT OF WAY

## Technology 1: Wind/ Solar Hybrid Power Generation and Distribution System

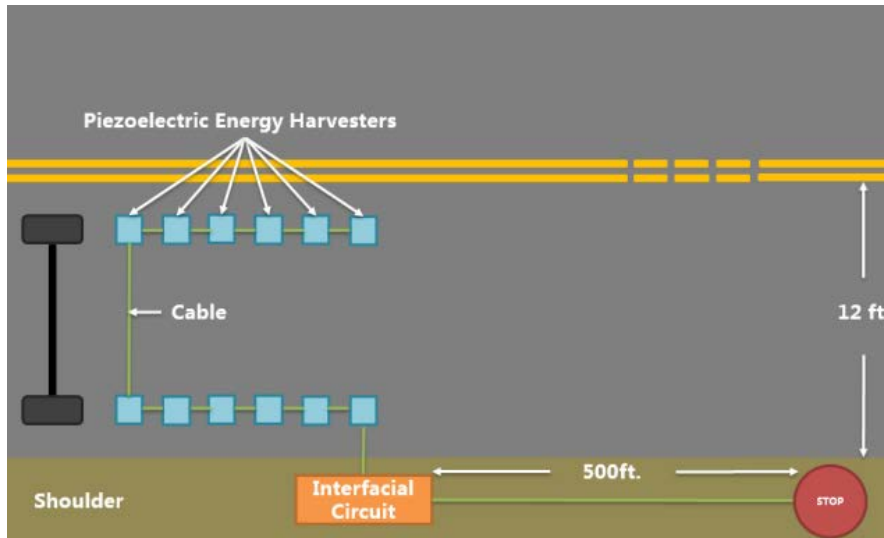
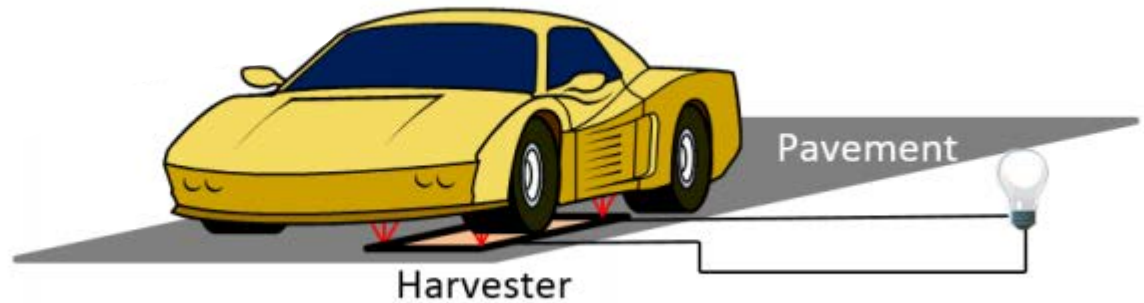


# NEW TECHNOLOGIES FOR RENEWABLE ENERGY IN THE PUBLIC RIGHT OF WAY

## Technology 2: Piezoelectric Energy Harvesting from Pavement Deformation and Vibration

### Applications:

- Light LED stoplight
- Illuminate exit ramps



# NEW TECHNOLOGIES FOR RENEWABLE ENERGY IN THE PUBLIC RIGHT OF WAY

## Conclusion & Takeaways:

- Technologies are in early stages of research and development
- Far from commercialization
- Possible future of RE technologies in public right of way

## For more information:

The full presentations can be found at the following website:

<http://onlinepubs.trb.org/Onlinepubs/webinars/160331.pdf>